

## Működtető- és jelzőkészülékek

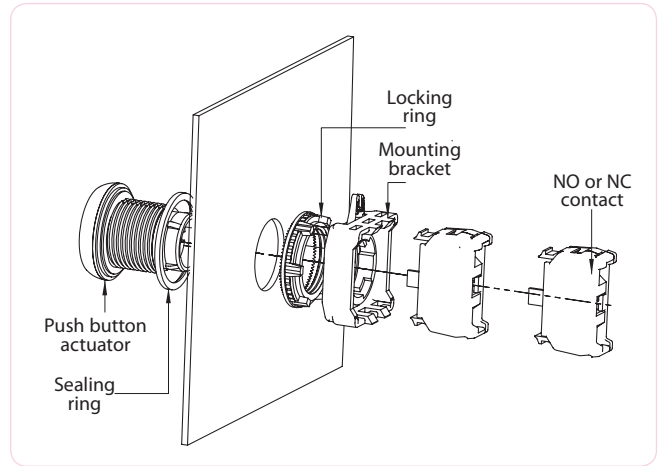
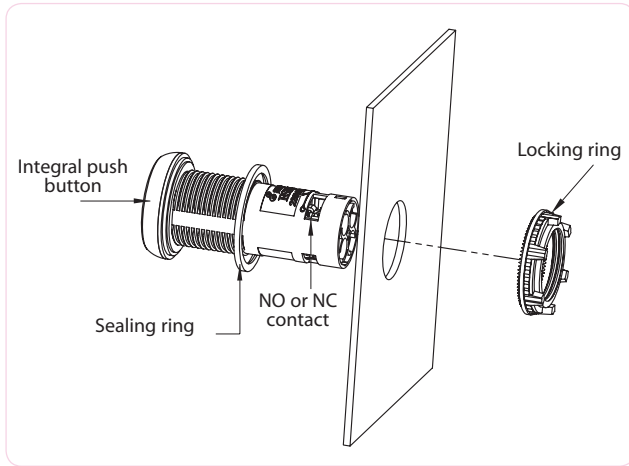
### Non-illuminated actuators and LED indicators

| Product                   | 22.5 mm Gen Next LED Indicators                | Gen Next LED Actuators                         |
|---------------------------|--|--|
| Rated Voltage $U_n$       | 24 V AC/DC<br>240 V AC                         | 24 V AC/DC<br>240 V AC                         |
| Operating Voltage         | -20% $U_n$ ... +10% $U_n$                      | -20% $U_n$ ... +10% $U_n$                      |
| Type of LED               | SMD LEDs                                       | SIDE VIEW SMD LEDs                             |
| Available Colours         | RED/GREEN/YELLOW/AMBER/BLUE/WHITE              | RED/GREEN/YELLOW/AMBER/BLUE/WHITE              |
| Life                      | 0.1 million burning hour                       | 0.1 million burning hour                       |
| Operating Temperature     | -30°C ... 60°C                                 | -30°C ... 60°C                                 |
| Storage Temperature       | -25°C ... 70°C                                 | -25°C ... 70°C                                 |
| Wire Termination Capacity | 0.5mm <sup>2</sup> , 1.5 - 2.5 mm <sup>2</sup> | 0.5mm <sup>2</sup> , 1.5 - 2.5 mm <sup>2</sup> |
| Terminal Torque           | 0.5 Nm   | 0.5 Nm   |
| LVGP                      | ✓  | ✓  |
| Surge Test                | 2 kV   | 2 kV   |
| HV test for 60 sec.       | 1.5 kV   | 1.5 kV   |
| Degree of Protection      | Above panel : IP65<br>For terminals : IP20     | Above panel : IP65<br>For terminals : IP21     |
| International Approvals   | CE   | CE   |

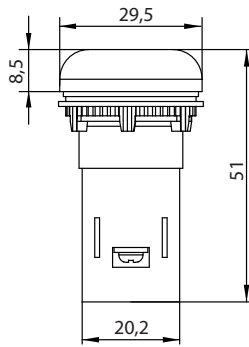
### Push button actuators and integral push buttons

| Utilization category                       | Supply   | IEC - 60947-5-1   | ITH / Thermal Current         |
|--|----------|---|-------------------------------|
|  | AC       | AC-15   | 10 A                          |
|  | DC       | DC-13   |                               |
| Contact                                    |          | NO & NC   |                               |
| Rated Voltage                              | 230 V AC | 24 V AC   |                               |
| Rated Current                              | 2 A      | 1.5 A   |                               |
| Frequency                                  |          | 50-60 Hz  |                               |
| Electrical Life for Contact                |          | 0.5 million cycle   |                               |
| HV Test for 60 sec                         |          | 2.5kV (All Terminals Shorted Together)  |                               |
| Rated insulation Voltage                   |          | 600 V AC  |                               |
| Terminals                                  |          | Suitable for flexible or solid conductors from 2x1 mm <sup>2</sup> to 2x2.5 mm <sup>2</sup>   |                               |
| Current Carrying Material                  |          | Brass   |                               |
| Contacts Type                              |          | Make & Break  |                               |
| Contact Material                           |          | AgNi  |                               |
| Insulation Resistance at 500 VDC           |          | > 50 Mohm   |                               |
| Contact Resistance                         |          | > 20 Mohm   |                               |
| Function                                   |          | Push, Push - Turn, Selector, Key  |                               |
| Colour                                     |          | RED/GREEN/YELLOW/ORANGE/BLACK/BLUE/WHITE  |                               |
| Disposition of Contact                     |          | <div style="display: flex; align-items: center;"> <div style="margin-right: 10px;"> <input type="checkbox"/> Contact Open<br/> <input checked="" type="checkbox"/> Contact Closed         </div> </div> <p style="text-align: center; margin-top: 5px;">Stroke (mm)</p> |                               |
| Environmental Rating                       |          |   |                               |
| Operating Temperature                      |          | -30°C ... 60°C  |                               |
| Storage Temperature                        |          | -25°C ... 70°C  |                               |
| IP Rating                                  |          | IP65 above panel (As per IEC/EN - 60529) & IP20 for Terminals   | NEMA 1,2,3,4,4X class 12 & 13 |
| RoHS Compliance                            |          | ✓   |                               |
| Mechanical Life for Actuators              |          |   |                               |
| Momentary (Push Button with Push Function) |          | 1 mio ops   |                               |
| Emergency Stop (Turn to Release)           |          | 0.1 mio ops   |                               |
| Selector                                   |          | 0.5 mio ops   |                               |

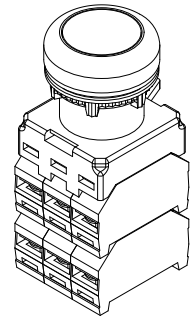
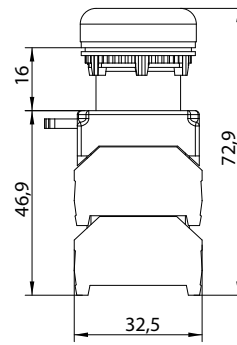
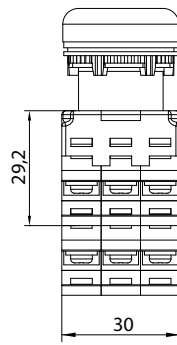
Szerelési lehetőségek



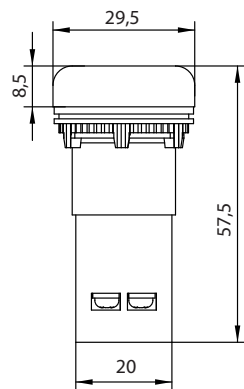
LED indicator



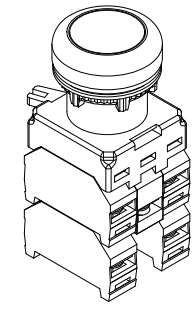
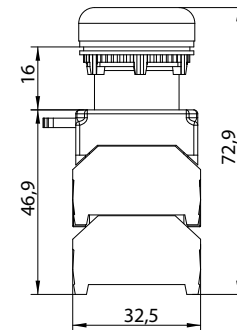
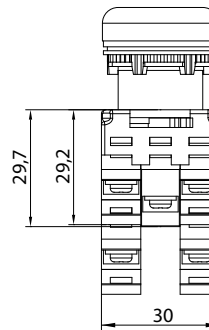
Push button actuator with 3 contacts in first row + 3 contacts in second row



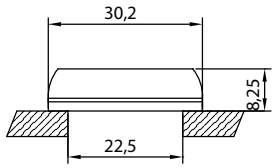
Integral push button



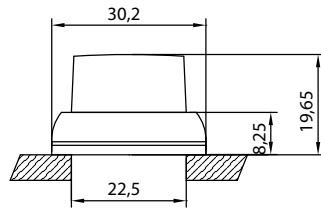
Push button actuator with 4 contacts and one LED holder



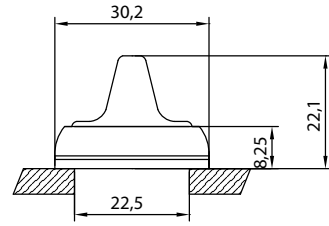
To one push button actuator can be applicated 3 contacts or 2 contacts and one LED holder (in one row of accessories)  
 To one push button actuator can be applicated 6 contacts or 4 contacts and one LED holder (in two rows of accessories)



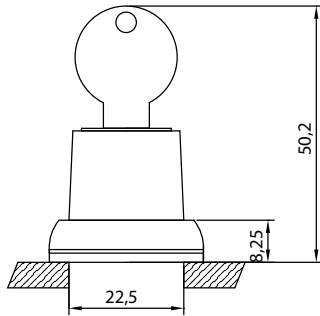
Flush head push button actuator



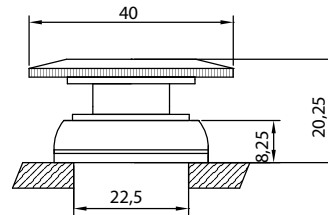
Projecting head push button actuator



Napéd pokrétny piórkem



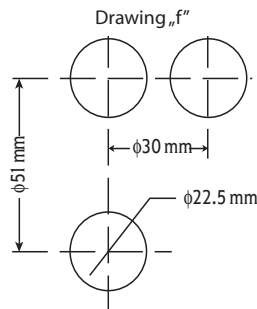
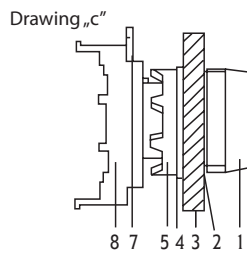
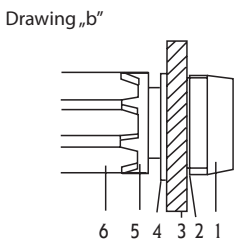
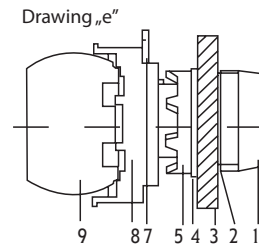
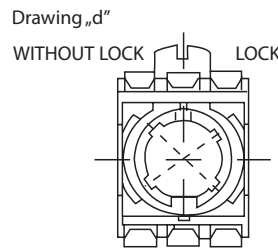
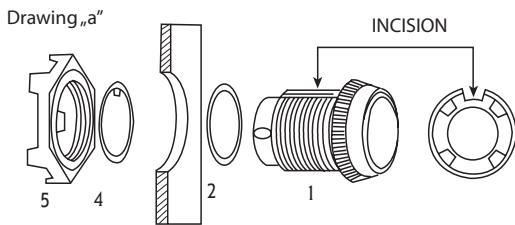
Key actuator



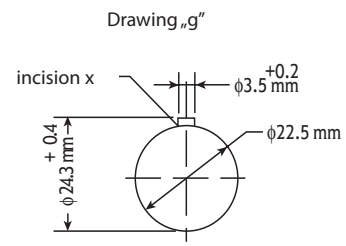
Mushroom head actuator

Above drawings apply to both Integral pushbuttons and pushbutton actuators.

Összeszerelés



Openings plan for more than one actuator

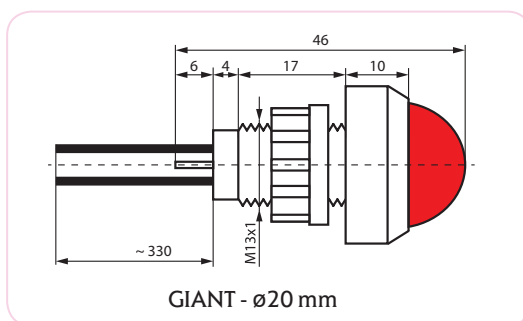
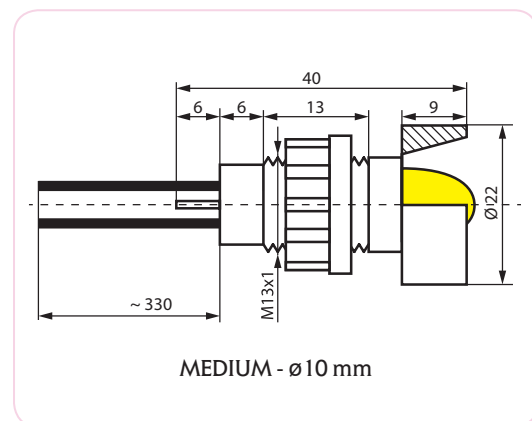
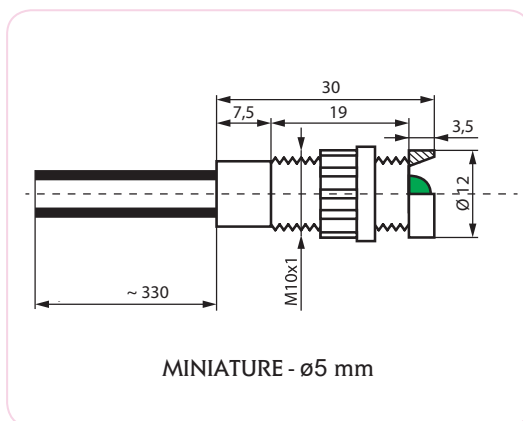


Opening plan for actuators with antirotating ring

- 1) Drawing a and b - unscrew locking ring (5) from actuator (1)
- 2) Mount actuator with sealing ring (2) in mounting panel openings
- 3) Place antirotating ring (4) with incision on actuator and slide it to the opening with x incision according to drawing g
- 4) Using a fixing device (6) tighten locking ring
- 5) Drawings c and d - switch locking ring (7) for first mounting bracket in OPEN position
- 6) Slide first mounting bracket. Check if mounting bracket is oriented according to incision on actuator
- 7) Switch locking ring in CLOSED position
- 8) Drawing e - mount contacts or LED holders to the mounting bracket by latching them on the bracket

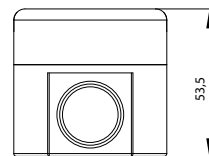
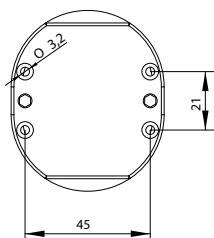
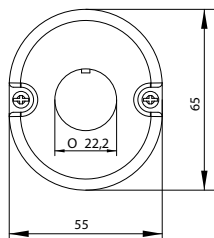
## LS LED jelzőkészülék

| Technical data                          |   |
|---|---|
| Operating voltage                       | 230 V AC<br>(with 230 V AC voltage - cord in lamps light colour)              |
| Power consumption                       | 1,0 W   |
| Power cord                              | LGY 0,5 mm <sup>2</sup> or terminal connectors for lamps<br>φ=10 mm i φ=20 mm |
| Protection class                        | IP 20   |
| Lamps are manufactured in various sizes | 5 mm miniature, 10 mm medium, 20 mm giant                                     |
| Colour                                  | G - green, R - red, Y - yellow  |

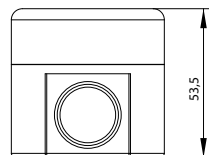
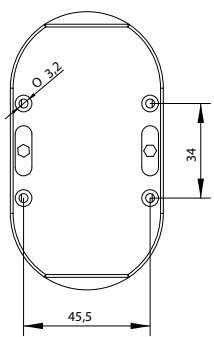
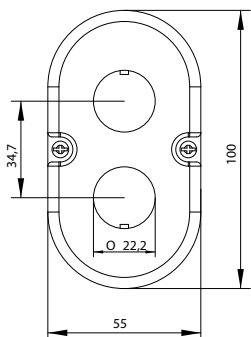


Tokozat

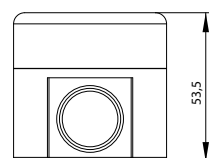
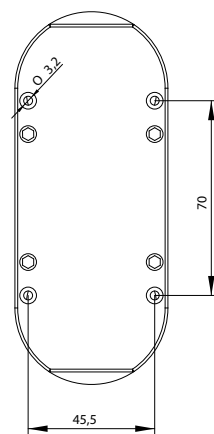
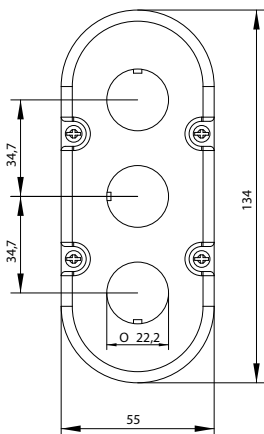
Single station enclosure



Two station enclosure



Three station enclosure



Two station push-button with integral push buttons

