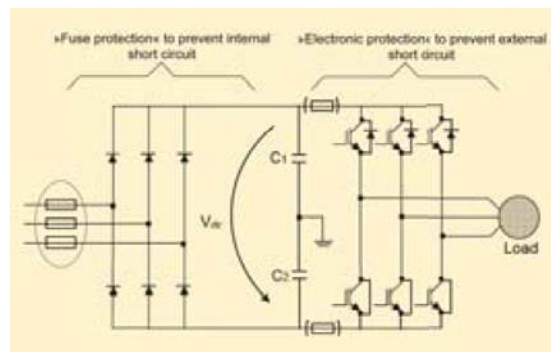


## Suggested fuses for **AC Vector inverter**

Input side external fuse type (without 3-phase choke)	Input side external fuse type (with 3-phase choke)	External fuse for a DC connection  common DC power supply	230 VAC Class 1 (kW)	230 VAC Class 2 (kW)	400 VAC Class 1 (kW)	400 VAC Class 2 (kW)	460 VAC Class 1 (HP)	460 VAC Class 2 (HP)
CH14UQ/10A/690V (D2)	CH14UQ/10A/690V (D2)	AQS14UQ/6A/690V	0,37	0,37	0,75	0,75	1	0,75
CH14UQ/10A/690V (D2)	CH14UQ/10A/690V (D2)	CH14UQ/10A/690V	0,75	0,75	1,5	1,5	2	1,5
CH14UQ/16A/690V (D2)	CH14UQ/10A/690V (D2)	CH14UQ/10A/690V	1,1	1,1	2,2	2,2	3	2
CH14UQ/16A/690V (D2)	CH14UQ/16A/690V (D2)	CH14UQ/16A/690V	1,5	1,5	3	3	3	3
CH14UQ/20A/690V (D2)	CH14UQ/16A/690V (D2)	CH14UQ/16A/690V	2,2	2,2	4	4	5	5
CH14UQ/25A/690V (D2)	CH14UQ/20A/690V (D2)	CH14UQ/20A/690V	3,3	3,3	5,5	5,5	7,5	7,5
CH22UQ/40A/690V (D3)	CH14UQ/25A/690V (D2)	CH14UQ/32A/690V	4	4	7,5	7,5	10	10
CH22UQ/40A/690V (D3)	CH22UQ/40A/690V (D3)	CH14UQ/40A/690V	5,5	5,5	11	11	15	15
CH22UQ/50A/690V (D3)	CH22UQ/50A/690V (D3)	CH22UQ/63A/690V	7,5	7,5	15	15	20	20
/	CH22UQ/50A/690V (D3)	S00UQ1/80/80A/690V	11	11	22	22	30	25
/	S00UQ1/80/80A/690V	S00UQ1/80/100A/690V	18,5	15	30	30	40	30
/	S00UQ1/80/100A/690V	S00UQ1/80/125A/690V	22	18,5	37	37	50	40
/	S00UQ1/80/160A/690V	S00UQ1/80/160A/690V	22	22	45	45	60	50
/	S00UQ1/80/160A/690V	S00UQ1/80/200A/690V	30	30	55	55	75	60
/	S1UQ1/110/250A/690V	S1UQ1/110/250A/690V	37	37	75	55	100	75
/	S1UQ1/110/250A/690V	S1UQ1/110/315A/690V	55	45	90	90	125	100
/	S2UQ1/110/400A/690V	S2UQ1/110/400A/690V	55	55	110	90	150	125
/	S2UQ1/110/400A/690V	S2UQ1/110/500A/690V	75	55	132	110	150	150
/	S2UQ1/110/400A/690V	S2UQ1/110/500A/690V	90	90	160	160	200	200
/	S2UQ1/110/630A/690V	S2UQ1/110/630A/690V	/	/	250	200	350	300
/	S2UQ1/110/630A/690V	S2UQ1/110/630A/690V	/	/	315	250	450	

Class 1 = continuous duty according to the IEC 146 norm

Class 2 = 150% overload for 60 seconds according to the IEC 146 norm

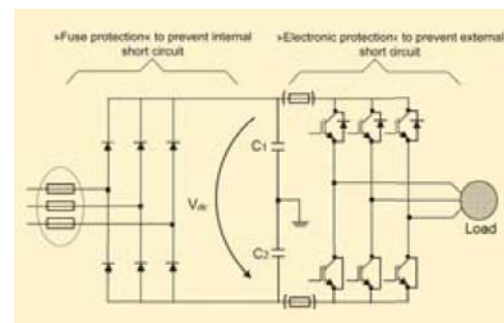


## Suggested fuses for V/f frequency inverter

Input side external fuse type (without 3-phase choke)	Input side external fuse type (with 3-phase choke)	230 VAC Class 1 (kW)	230 VAC Class 2 (kW)	400 VAC Class 1 (kW)	400 VAC Class 2 (kW)	460 VAC Class 1 (HP)	460 VAC Class 2 (HP)
CH14UQ/10A/690V (D2)	CH14UQ/10A/690V (D2)	0,37	0,37	0,75	0,75	1	0,75
CH14UQ/10A/690V (D2)	CH14UQ/10A/690V (D2)	0,75	0,75	1,5	1,5	2	1,5
CH14UQ/16A/690V (D2)	CH14UQ/10A/690V (D2)	1,1	1,1	2,2	2,2	3	2
CH14UQ/16A/690V (D2)	CH14UQ/16A/690V (D2)	1,5	1,5	3	3	3	3
CH14UQ/20A/690V (D2)	CH14UQ/16A/690V (D2)	2,2	2,2	4	4	5	5
CH14UQ/25A/690V (D2)	CH14UQ/20A/690V (D2)	3,3	3,3	5,5	5,5	7,5	7,5
CH22UQ/40A/690V (D3)	CH14UQ/25A/690V (D2)	4,4	4,4	7,5	7,5	10	10
CH22UQ/40A/690V (D3)	CH22UQ/40A/690V (D3)	5,5	5,5	11	11	15	15
CH22UQ/50A/690V (D3)	CH22UQ/50A/690V (D3)	7,5	7,5	15	15	20	20
/	CH22UQ/50A/690V (D3)	11	11	22	22	30	25
/	CH22UQ/50A/690V (D3)	11	11	22	22	30	25
/	S00UQ1/80/80A/690V	18,5	15	30	30	40	30
/	S00UQ1/80/100A/690V	22	18,5	37	37	50	40
/	S00UQ1/80/160A/690V	22	22	45	45	60	50
/	S00UQ1/80/160A/690V	30	30	55	55	75	60
/	S1UQ1/110/250A/690V	37	37	75	55	100	75
/	S1UQ1/110/250A/690V	55	45	90	90	125	100
/	S2UQ1/110/400A/690V	55	55	110	90	150	125
/	S2UQ1/110/400A/690V	75	55	132	110	150	150
/	S2UQ1/110/400A/690V	90	90	160	160	200	200

Class 1 = continuous duty according to the IEC 146 norm

Class 2 = 150% overload for 60 seconds according to the IEC 146 norm



## Suggested fuses for **LIFT inverter**

Input side external fuse type (without 3-phase choke)	Input side external fuse type (with 3-phase choke)	External fuse for a DC connection  common DC power supply	230 VAC Class 1 (kW)	230 VAC Class 2 (kW)	400 VAC Class 1 (kW)	400 VAC Class 2 (kW)	460 VAC Class 1 (HP)	460 VAC Class 2 (HP)
CH14UQ/10A/690V (D2)	CH14UQ/10A/690V (D2)	AQS14UQ/6A/690V	0,37	0,37	0,75	0,75	1	0,75
CH14UQ/10A/690V (D2)	CH14UQ/10A/690V (D2)	CH14UQ/10A/690V	0,75	0,75	1,5	1,5	2	1,5
CH14UQ/16A/690V (D2)	CH14UQ/10A/690V (D2)	CH14UQ/10A/690V	1,1	1,1	2,2	2,2	3	2
CH14UQ/16A/690V (D2)	CH14UQ/16A/690V (D2)	CH14UQ/16A/690V	1,5	1,5	3	3	3	3
CH14UQ/20A/690V (D2)	CH14UQ/16A/690V (D2)	CH14UQ/16A/690V	2,2	2,2	4	4	5	5
CH14UQ/25A/690V (D2)	CH14UQ/20A/690V (D2)	CH14UQ/20A/690V	3,3	3,3	5,5	5,5	7,5	7,5
CH22UQ/40A/690V (D3)	CH14UQ/25A/690V (D2)	CH14UQ/32A/690V	4	4	7,5	7,5	10	10
CH22UQ/40A/690V (D3)	CH22UQ/40A/690V (D3)	CH14UQ/40A/690V	5,5	5,5	11	11	15	15
CH22UQ/50A/690V (D3)	CH22UQ/50A/690V (D3)	CH22UQ/63A/690V	7,5	7,5	15	15	20	20
/	CH22UQ/50A/690V (D3)	S00UQ1/80/80A/690V	11	11	22	22	30	25
/	S00UQ1/80/80A/690V	S00UQ1/80/100A/690V	18,5	15	30	30	40	30
/	S00UQ1/80/100A/690V	S00UQ1/80/125A/690V	22	18,5	37	37	50	40
/	S00UQ1/80/160A/690V	S00UQ1/80/160A/690V	22	22	45	45	60	50
/	S00UQ1/80/160A/690V	S00UQ1/80/200A/690V	30	30	55	55	75	60
/	S1UQ1/110/250A/690V	S1UQ1/110/250A/690V	37	37	75	55	100	75
/	S1UQ1/110/250A/690V	S1UQ1/110/315A/690V	55	45	90	90	125	100
/	S2UQ1/110/400A/690V	S2UQ1/110/400A/690V	55	55	110	90	150	125
/	S2UQ1/110/400A/690V	S2UQ1/110/500A/690V	75	55	132	110	150	150
/	S2UQ1/110/400A/690V	S2UQ1/110/500A/690V	90	90	160	160	200	200
/	S2UQ1/110/630A/690V	S2UQ1/110/630A/690V	/	/	250	200	350	300
/	S2UQ1/110/630A/690V	S2UQ1/110/630A/690V	/	/	315	250	450	

Class 1 = continuous duty according to the IEC 146 norm

Class 2 = 150% overload for 60 seconds according to the IEC 146 norm



Suggested fuses for **Soft starter**

<b>Input side external fuse type</b>	<b>230 VAC (kW)</b>	<b>400 VAC (kW)</b>	<b>460 VAC (kW)</b>	<b>575 VAC (kW)</b>	<b>690 VAC (kW)</b>
D3UQ50A	2,2	4	4	5,5	7,5
D3UQ50A	3,7	7,5	7,5	11	15
S00UQ1/80/100A/690V	6,3	11	11	15	22
S00UQ1/80/125A/690V	7,5	15	15	22	30
S00UQ1/80/160A/690V	11	22	22	30	37
S00UQ1/80/200A/690V	16	30	32	37	55
S1UQ1/110/250A/690V	20	37	40	45	60
S1UQ1/110/250A/690V	22	45	45	55	75
S2UQ1/110/400A/690V	30	55	55	75	90
S2UQ1/110/400A/690V	45	75	80	110	132
S2UQ1/110/500A/690V	55	90	110	132	160
S2UQ1/110/500A/690V	63	110	132	150	200
S2UQ1/110/500A/690V	75	132	150	185	220
S2UQ1/110/500A/690V	90	160	185	220	300
S2UQ1/110/630A/690V	110	200	220	250	375
G2MUQ02/800A/690V	160	250	300	375	500
G2MUQ02/800A/690V	185	320	375	450	600
G3MUQ02/1250A/690V	250	400	450	560	750
G3MUQ02/1250A/690V	300	500	560	670	900
G3MUQ02/1400A/690V	375	600	670	900	1100
G3MUQ02/1400A/690V	400	670	750	950	1200



Suggested fuses for **SERVO drives**

Input side external fuse type	200-460 VAC (kW)	Output current (230Vac) (A)	Output current (400Vac) (A)	Output current (460Vac) (A)	Output peak current (Arms)
CH14UQ/10A/690V (D2/10A)	<b>2,8</b>	<b>8</b>	<b>6</b>	<b>5</b>	<b>9</b>
CH14UQ/16A/690V (D2/16A)	<b>4,6</b>	<b>12</b>	<b>10</b>	<b>8</b>	<b>14</b>
CH14UQ/40A/690V (D2/40A)	<b>11</b>	<b>32</b>	<b>23</b>	<b>18</b>	<b>40</b>
CH22UQ/50A/690V (D3/50A)	<b>16</b>				
M00UQ02/63A/690V	<b>24</b>				
M00UQ02/100A/690V	<b>47</b>				
M00UQ02/125A/690V	<b>62</b>				
M1UQ02/250A/690V	<b>124</b>				